

E-Series RF 4:1 Transformer
0.5 – 350 MHz

ET4-1-SM1
V1

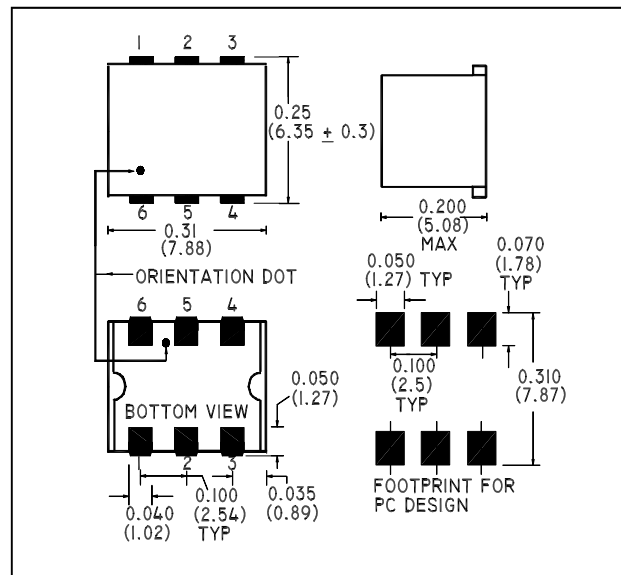
Features

- 4:1 Impedance Ratio
- CT on Secondary
- Surface Mount
- Tape and reel packaging available

Description

M/A-COM's ET4-1-SM1 is a 4:1 RF transformer in a low cost, surface mount package. Ideally suited for high volume cellular and wireless applications. Typical applications include single to balanced mode conversion and impedance matching. Parts are packaged in tape & reel.

SM - 1 Package



Electrical Specifications: $T_A = 25^\circ\text{C}$, $Z_0 = 50\Omega$ ¹

Parameter	Test Conditions	Frequency	Units	Min	Typ	Max
RF Frequency	—	0.5 - 350	MHz	—	—	—
Insertion Loss	F_L — f_U	0.5 - 350	dB	—	—	3.0
		2.0 - 100	dB	—	—	1.0
Amplitude Imbalance	F_L — f_U	0.5 - 350	dB	—	—	1.0
		2.0 - 100	dB	—	—	0.1
Phase Imbalance	F_L — f_U	0.5 - 350	Degrees	—	—	5°
		2.0 - 100	Degrees	—	—	1°

Absolute Maximum Ratings¹

Parameter	Absolute Maximum
RF Power	250 mW
DC Current	30 mA
Operating Temperature	-40°C to +85°C
Storage Temperature	-55°C to +125°C

1. Operation of this device above any one of these parameters may cause permanent damage.

Ordering Information

Part Number	Package
ET4-1-SM1TR	Tape and Reel (900 piece Reel)

- **North America** Tel: 800.366.2266 / Fax: 978.366.2266
- **Europe** Tel: 44.1908.574.200 / Fax: 44.1908.574.300
- **Asia/Pacific** Tel: 81.44.844.8296 / Fax: 81.44.844.8298

Visit www.macom.com for additional data sheets and product information.

Pin Configuration

Pin No.	Function
1	Secondary
2	Secondary CT
3	Secondary Dot
4	Primary Dot
5	Not Connected
6	Primary

Schematic

